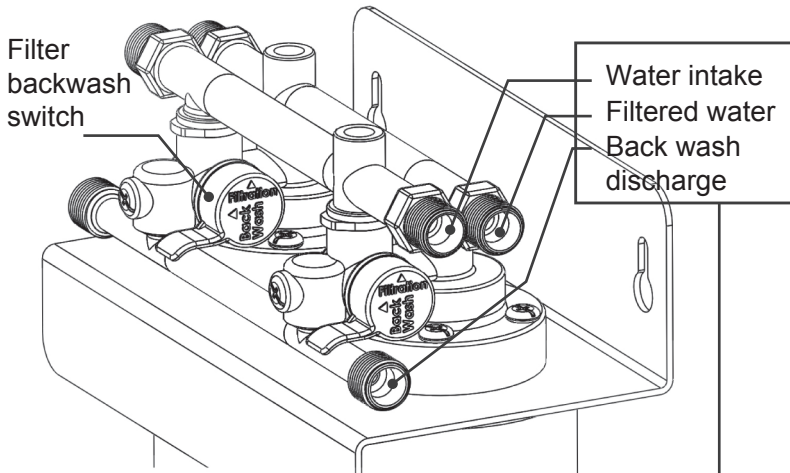


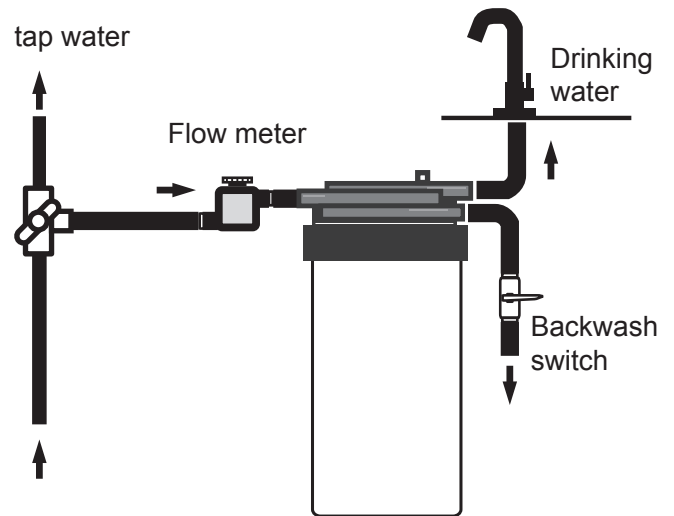
Installation instructions

Component Description



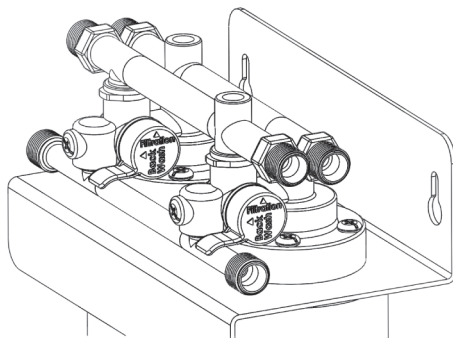
Select one side (either left or right) of each connection tube, lock the unused side with a lock nut.

Tube Connection Description

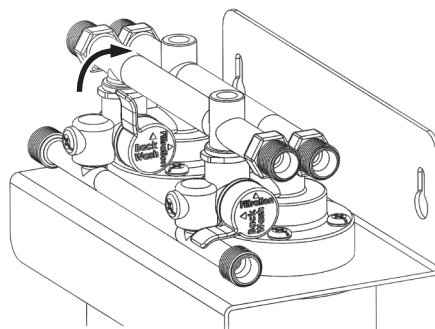


Filter Cleaning Instructions : Drinking water faucet should be turned off when filter is being cleaned.

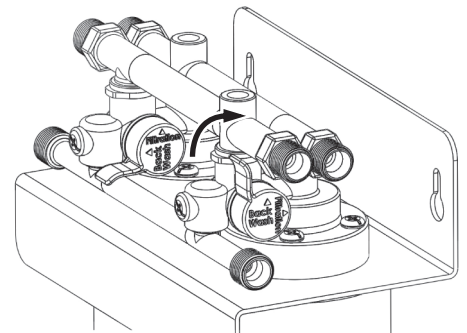
Unlike most water filtration systems on the market, this innovative filter cleansing process is as easy as turning on a switch, no filter removal is needed. A cleaned filter can perform like a new filter. The frequency to cleanse the filter is recommended once a month. The cleansing duration will depend on the local water quality, approximately 1 -3 minutes. Turn on the source water before cleansing each filter, the dirty water will be discharged by the "cleansing discharge port".



water opened, process of filtered water (on/off level)



The left switch is to clean the left filter, after the completion, the on/off level switches back.



The right switch is to clean the right filter, after the completion, the on/off level switches back.

NOTE

- The filter is recommended for water filtration of tap water. Polluted, ground water or even non tap water, is likely to shorten the service life of the filter. Maximum operating temperature is 40 Degree C, contact our customer support if there are any questions.
- Recommended operating water pressure is 50-PSI or less than 3.5 kg.
- It is required to flush out the water when used for the first time, flush out excess activated carbon power in the filter for about 3-10 minutes. Even not flushed out, the powder is not harmful to health and is safe for drinking.
- If the filtered water is not used for more than 10 days, please be sure to let the water flow from the water filtration system for 1 minute, before using the drinking water.
- The ideal operating temperature is 5-40 degrees C. It is intended for indoor use only. Do not install it outdoor with a wide temperature swing. The unit should be kept away from heat source such as a hot water tank, electrical stove, oven, gas stove and other heating equipment, at the same time make sure the tubes are not twisted and kinked or pressed. Avoid contacting other electrical wires, or direct sun light with high temperatures, causing the tube body to be soften.
- When the filtration volume reaches 200 tons, the flow meter will cut off the water automatically.
- Make sure to drink the filtered water as soon as possible since the filtered water is not suitable for long term storage.